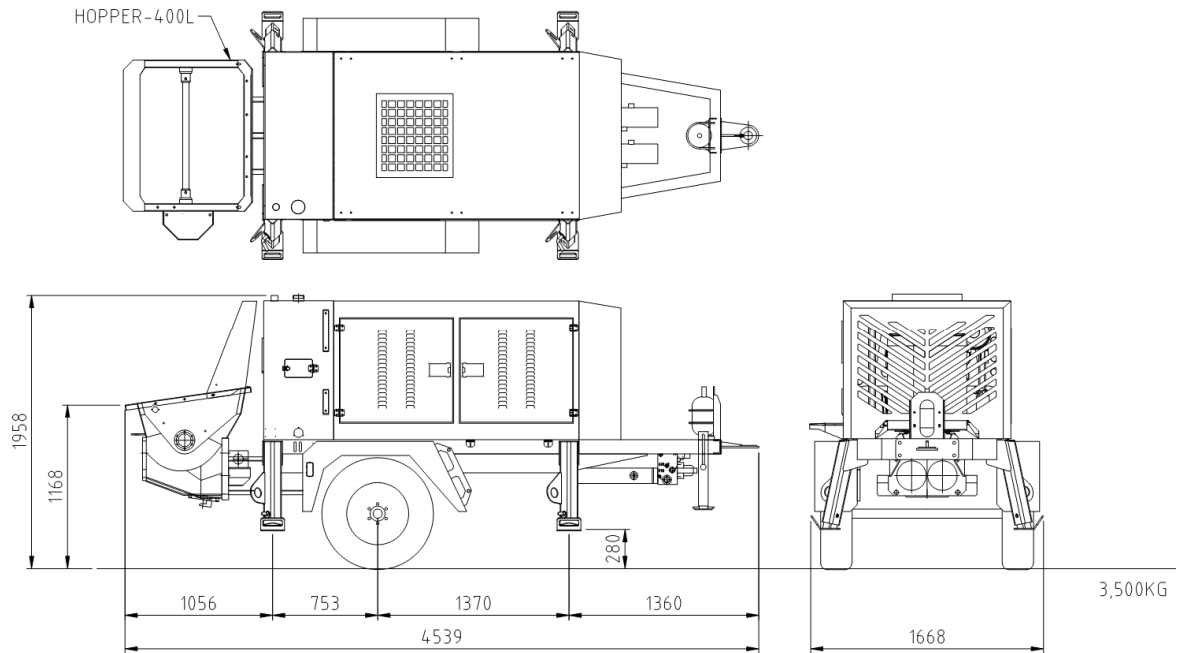


Our Pride ...

KTP1160



<input checked="" type="checkbox"/> Pump specifications		<input checked="" type="checkbox"/> Performance diagram	
Engine	CAT - C3.4		
Engine rpm	1800 rpm		
Maximum output	60 m³/h		
Main cylinder	Ø90/ Ø55×1100ST		
Concrete cylinder	Ø200×1100ST		
Cycling system	Hydraulic with manual overrides		
Stroke per minute	30		
Concrete pressure	70 bar		
Hopper capacity	0.5 m³		
S-tube	Ø200×Ø150		
Hydraulic pump	KAWASAKI 112S		
Max. aggregate size	40 mm		
Vertical distance	100 M (slump 8 cm)		
Horizontal distance	175 M (slump 8 cm)		

© Maximum theoretical values listed.

© Photos and drawings are for illustrative purpose only

© Dimension will vary with different truck makers, models and specifications

© Right to make technical amendments reserved