



BOOM SPECIFICATIONS

Vertical reach	23.2 M	(76' 2")
Horizontal reach	19.8 M	(64' 11")
Reach from front of truck	17.4M	(57' 1")
Unfolding height	5.4 M	(17' 9")
Section articulation	94° / 180° / 260° / 250°	
Rotation	370°	
Delivery line	125mm	(5")
Proportional boom	Yes	
End hose length	3 M	(9' 10")
Outrigger spread-front	5.6 M	(18' 5")
Outrigger spread-rear	2.65 M	(8' 3")
Max. outrigger weight	11,000 kg	(24280 lbs)

PUMP SPECIFICATIONS

Maximum output	120 m ³ /h	(157 yd ³ /h)
Concrete cylinder	Ø200 x 1800mm (8" x 71")	
Stroke per minute	34	
Concrete pressure	70bar	(1015 psi)
Hopper capacity	0.6 m ³	(21 ft ³)
S-tube	Ø200 x Ø180 (8" x 7")	
Hydraulic pump	Rexroth A11VL0190	
Cycling system	Hydraulic with manual overrides	
Max aggregate size	40 mm	(1 1/2")
Water Tank Volume	450 L	(118.9 Gal)

* Maximum theoretical values listed.

*Dimension will vary with different truck makes, models and specifications.

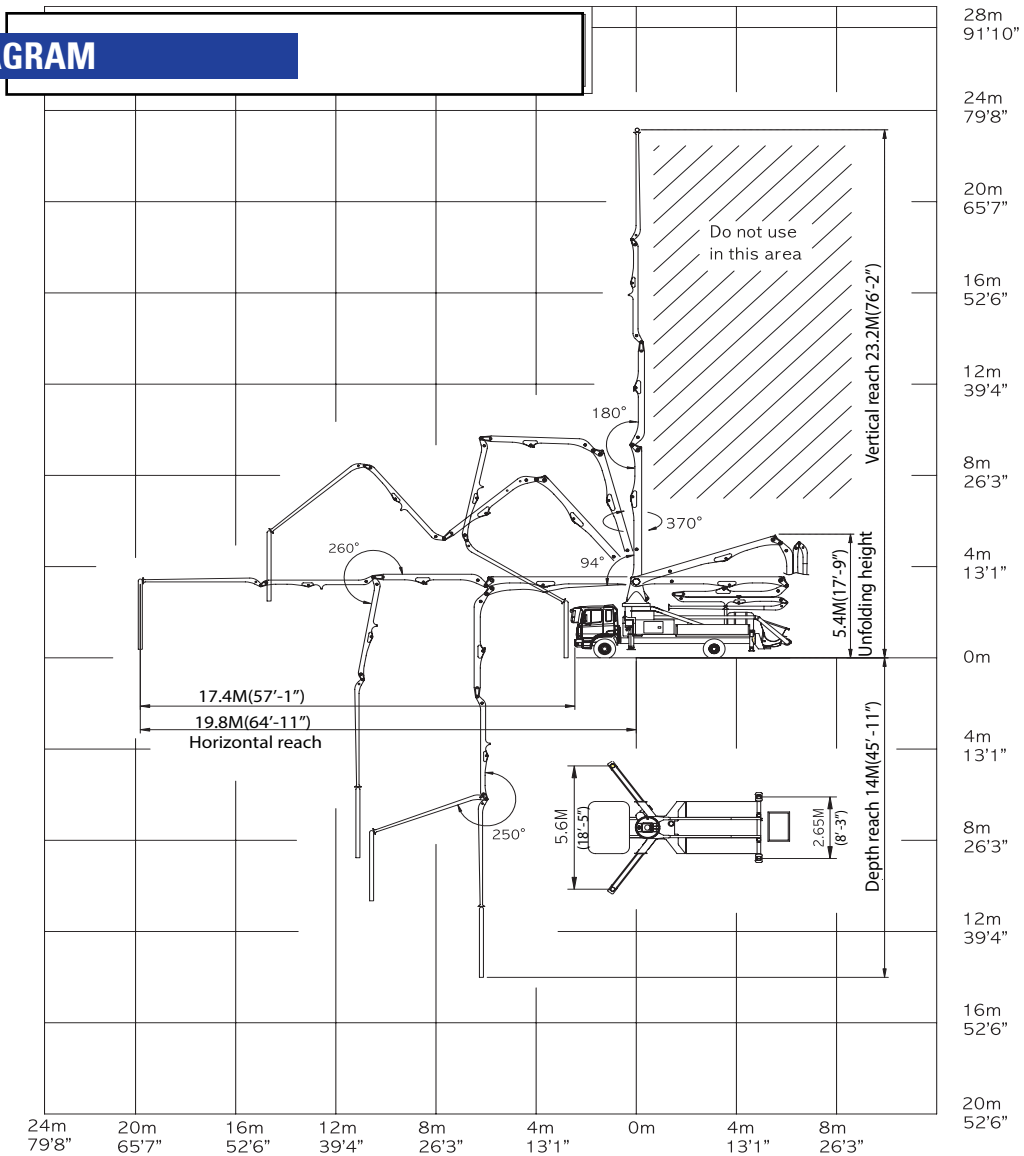
*Right to make technical amendments reserved.

TRUCK MOUNTED SPECIFICATIONS

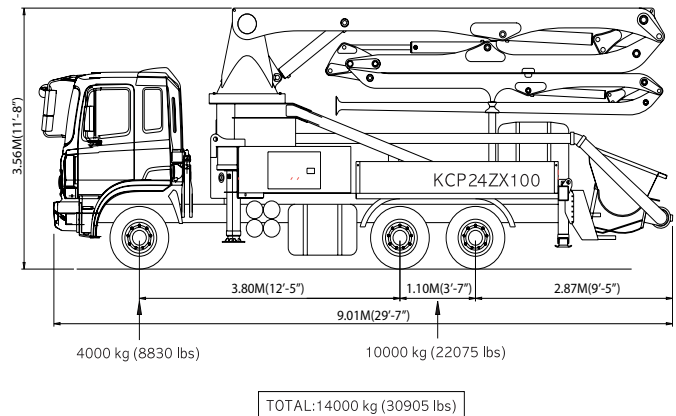
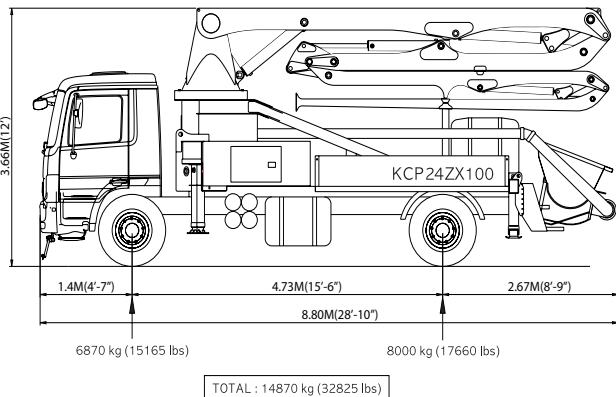
Available: MR MACK, GRANITE MACK, PETERBILT, INTERNATIONAL, FREIGHTLINER.

Simply the Best.

WORKING DIAGRAM



WEIGHT DIAGRAMS



*Photos and drawings are for illustrative purpose only.
 *Dimension will vary with different truck makers, models and specifications.
 *Right to make technical amendments reserved.